

B0803 Series Pressure Transmitter**Features**

- **Silicon Sensor**
- **GP & AP Measurement**
- **Range : 0 – 1 Psi through 0 – 10000 Psi**
- **LED Display with Clear Reading Day and Night**
- **Optional 316ss and Hastelloy Diaphragm**
- **High Performance and Low Cost**

Specifications

Range	Range Code
0 ~ 1 through 0 ~ 5 Psi	4
0 ~ 3 through 0 ~ 15 Psi	5
0 ~ 17 through 0 ~ 50 Psi	6
0 ~ 20 through 0 ~ 100 Psi	7
0 ~ 60 through 0 ~ 300 Psi	8

Range	Range Code
0 ~ 100 through 0 ~ 500 Psi	9
0 ~ 200 through 0 ~ 1000 Psi	10
0 ~ 600 through 0 ~ 3000 Psi	11
0 ~ 1000 through 0 ~ 5000 Psi	12
0 ~ 2000 through 0 ~ 10000 Psi	13

Note:(1) Available with Range Code 4 ~ 13 for GP (2) Available with Range Code 5 ~ 13 for AP

Overpressure: 3X URL for Range Code 4-9 (URL = Upper Range Limit)
2X URL for Range Code 10-11
1.5X URL for Range Code 12-13

Power Supply: 15-36VDC

Output: 4-20mA dc

Load: 750 ohms/24V

Display: 3-1/2-digit LCD or LED, User-Selectable Display Units, Accuracy 0.5% Rangeability: 5:1

Accuracy: <=0.25% F.S. (Combined Non-linearity, Hysteresis and Repeatability) Long Term Stability: +/-0.2% F.S./year

Operating Temperature Range: Sensor -40-85C, Circuit -25-85C LED
-25-70C, LCD 0-50C Compensated Temperature
Range: -20-70C

Operating Humidity Range: 0-100% RH

Temperature Effect: <=1%/55C (Combined zero and Span)

Mounting Position Effect: Operation position has no effect

Isolating Diaphragm: 316SS or Hastelloy C

Housing: Aluminum

Material of Pressure Connection: 316SS

Pressure Connection: 1/2 NPT, M20X1.5, Other Connections on Request

18-MONTH WARRANTY

Electrical Connection: G 1/2

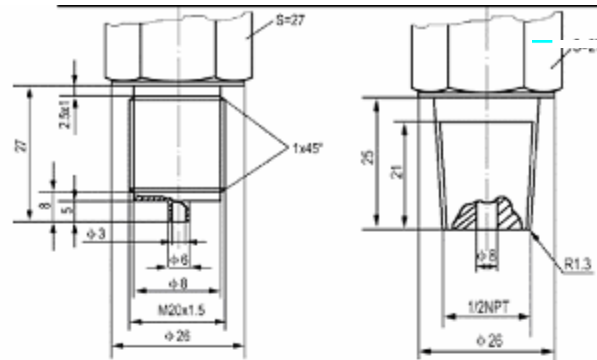
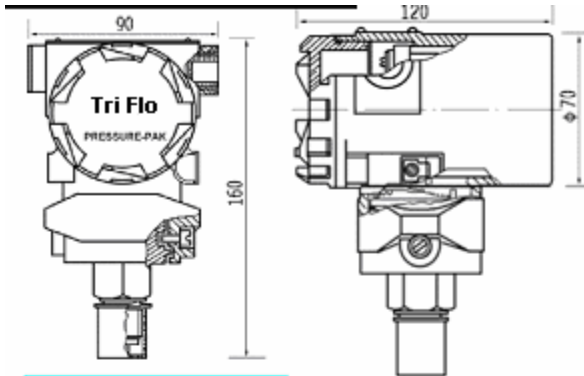
Explosion-Proof: Exia IIC T6 Class 1, Div. 1,2, Groups A,B, Ecd IIC T6 Class1

Enclosure Classification: IP65

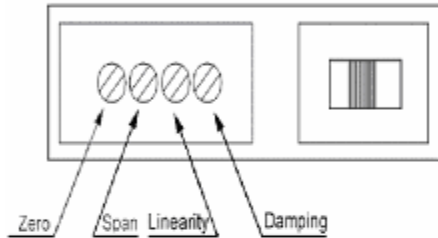
B0803 Series Pressure Transmitter

Dimensions (mm)

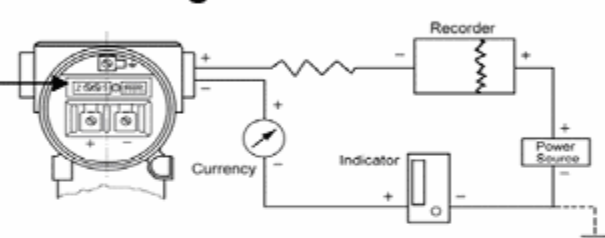
Pressure Connections (mm)



Zero and Span Adjustment



Block Diagram of Transmitter



Order Information

Basic Type	
-B0803	Pressure Transmitter
Pressure Type	
-GP	Gage Pressure
-AP	Absolute Pressure
Range Code	
-4	Please see above tables for ranges.
Isolating Diaphragm	
-C	316SS
-O	Hastelloy
Output	
-E	4 – 20 mA
Process Connection	
-N1	1/2 – 14 NPT
-G1	M20x1.5
-Y	Orders On Request
Accessories	
-M3	LCD, Display unit on Request
-M6	LED, Display unit on Request
-d	XP Class1, Div. 1,2 Groups A,B, T6=85C
-i	Exia IIc T6 Class1, Intrinsically Safe
B0803	GP 4 C E N1 M6 (0-3psi)

Note: Range in () is the adjusted range decided by customer