

TRI-FLOTECH, Inc.



www.triflotech.com
sales@triflotech.com

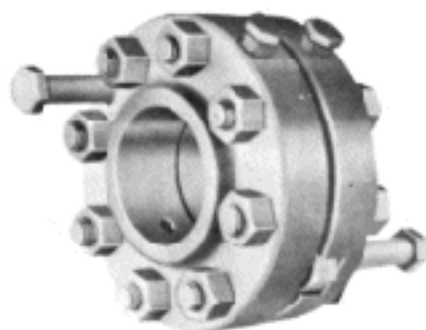
3410 E. 14th Street

Los Angeles, CA 90023

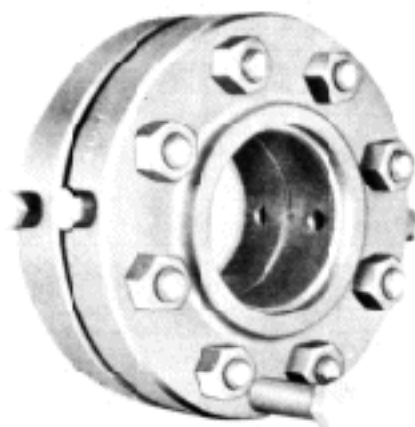
Tel: (323) 269-7700 Fax: (323) 269-7707

ORIFICE FLANGE UNIONS

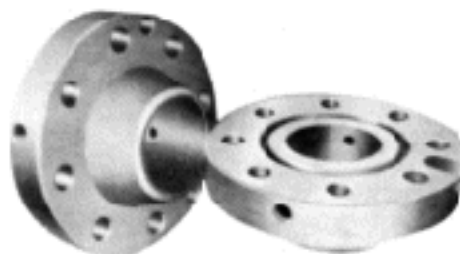
DESIGNED AND MANUFACTURED
TO AGA AND ASME AND ISA RECOMMENDATIONS



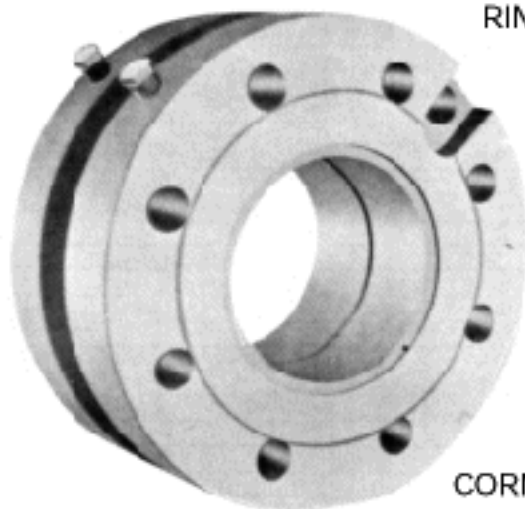
SLIP ON



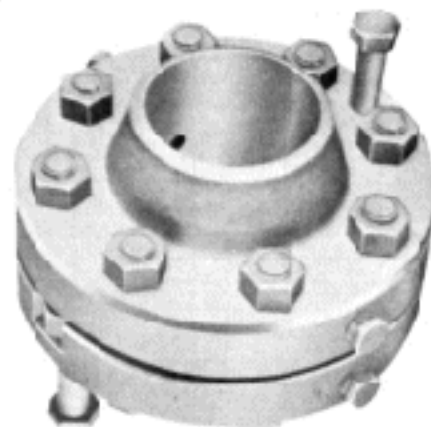
THREADED



RING JOINT



CORNER TAP

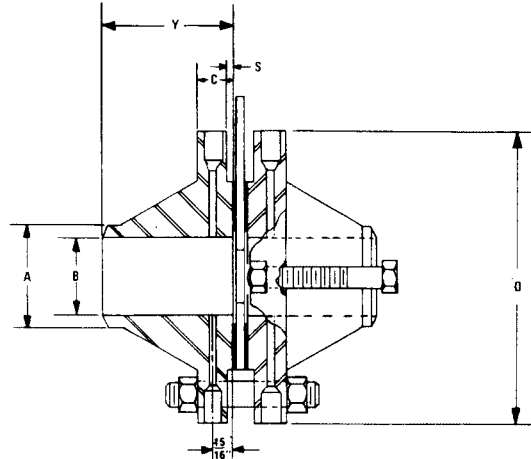


WELD NECK

CUSTOM CRAFTED
FLOW ELEMENTS



RAISED FACE WELD NECK ORIFICE FLANGES



1. ORIFICE FLANGES — A.S.T.M. A181, Gr. 1 and Gr. 2 Forged Steel or A.S.T.M. A105, Gr. 1 or Gr. 2 Forged Steel.
2. STUD BOLTS — A.S.T.M. A193, Gr. B7 Alloy Steel.
3. HEXAGONAL NUTS — A.S.T.M. A194, Gr. 2 Carbon Steel.
4. JACKSCREWS — (2) per Union.
5. PIPE PLUGS — Steel, Hex. Head Forged.
6. GASKETS — (2) per Union, Non-asbestos.

300 # ASA

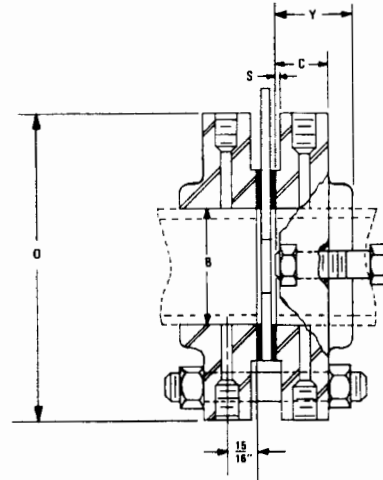
| Line Size | O.O.D. Flange | C Flange Thickness | S Thickness | B Bore | Y Length | A Hub Dia. | Face Dia. | STUDS | | | | Weight Approx. |
|-----------|---------------|--------------------|-------------|--------|----------|------------|-----------|-----------|-------|--------|--------|----------------|
| | | | | | | | | No. Holes | Dia. | Circle | Length | |
| 1/2" | 3-3/4 | 1-1/2 | 1/16 | | 3 | .84 | 1-3/8 | 4 | 1/2 | 2-5/8 | 5 | 14 |
| 1" | 4-7/8 | 1-1/2 | 1/16 | | 3-1/4 | 1.32 | 2-13/16 | 4 | 5/8 | 3-1/2 | 5 | 18 |
| 1-1/4" | 5-1/4 | 1-1/2 | 1/16 | | 3-5/16 | 1.66 | 3-3/16 | 4 | 5/8 | 3-7/8 | 5 | 20 |
| 1-1/2" | 6-1/8 | 1-1/2 | 1/16 | | 3-3/8 | 1.90 | 3-3/8 | 4 | 3/4 | 4-1/2 | 5-1/4 | 25 |
| 2" | 6-1/2 | 1-1/2 | 1/16 | | 3-3/8 | 2.38 | 4-5/16 | 8 | 5/8 | 5 | 5 | 27 |
| 2-1/2" | 7-1/2 | 1-1/2 | 1/16 | | 3-1/2 | 2.88 | 5-1/16 | 8 | 3/4 | 5-7/8 | 5-1/4 | 35 |
| 3" | 8-1/4 | 1-1/2 | 1/16 | | 3-1/2 | 3.50 | 5-13/16 | 8 | 3/4 | 6-5/8 | 5-1/4 | 43 |
| 4" | 10 | 1-1/2 | 1/16 | | 3-5/8 | 4.50 | 7-1/16 | 8 | 3/4 | 7-7/8 | 5-1/4 | 66 |
| 5" | 11 | 1-1/2 | 1/16 | | 4 | 5.56 | 8-3/8 | 8 | 3/4 | 9-1/4 | 5-1/4 | 78 |
| 6" | 12-1/2 | 1-1/2 | 1/16 | | 3-15/16 | 6.63 | 9-3/4 | 12 | 3/4 | 10-5/8 | 5-1/4 | 106 |
| 8" | 15 | 1-5/8 | 1/16 | | 4-3/8 | 8.63 | 12 | 12 | 7/8 | 13 | 5-3/4 | 152 |
| 10" | 17-1/2 | 1-7/8 | 1/16 | | 4-5/8 | 10.75 | 14-1/8 | 16 | 1 | 15-1/4 | 6-1/2 | 216 |
| 12" | 20-1/2 | 2 | 1/16 | | 5-1/8 | 12.75 | 16-1/2 | 16 | 1-1/8 | 17-3/4 | 7 | 327 |
| 14" | 23 | 2-1/8 | 1/16 | | 5-5/8 | 14.00 | 19 | 20 | 1-1/8 | 20-1/4 | 7-1/2 | 448 |
| 16" | 25-1/2 | 2-1/4 | 1/16 | | 5-3/4 | 16.00 | 21-1/8 | 20 | 1-1/4 | 22-1/2 | 7-3/4 | 596 |
| 18" | 28 | 2-3/8 | 1/16 | | 6-1/4 | 18.00 | 23-3/8 | 24 | 1-1/4 | 24-3/4 | 8-1/4 | 741 |
| 20" | 30-1/2 | 2-1/2 | 1/16 | | 6-3/8 | 20.00 | 25-5/8 | 24 | 1-1/4 | 27 | 8-1/2 | 887 |
| 24" | 36 | 2-3/4 | 1/16 | | 6-5/8 | 24.00 | 30-3/8 | 24 | 1-1/2 | 32 | 9-1/2 | 1311 |
| | | | | | | | | | | | | |
| | | | | | | | | | | | | |
| | | | | | | | | | | | | |

Per Customer Specifications

CUSTOM CRAFTED
FLOW ELEMENTS



RAISED FACE SLIP-ON ORIFICE FLANGES



1. ORIFICE FLANGES — A.S.T.M. A181, Gr. 1 and Gr. 2 Forged Steel or A.S.T.M. A105, Gr. 1 or Gr. 2 Forged Steel.
2. STUD BOLTS — A.S.T.M. A193, Gr. B7 Alloy Steel.
3. HEXAGONAL NUTS — A.S.T.M. A194, Gr. 2 Carbon Steel.
4. JACKSCREWS — (2) per Union.
5. PIPE PLUGS — Steel, Hex. Head Forged.
6. GASKETS — (2) per Union, Non-asbestos.

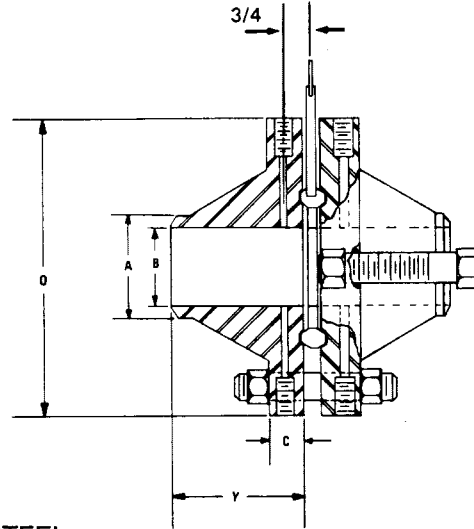
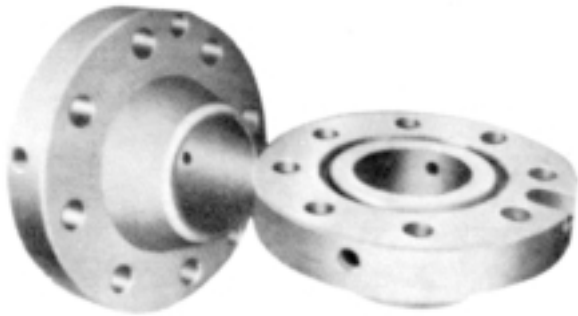
300 # ASA

| Line Size | O.O.D. Flange | C Flange Thickness | S Thickness | Y Length | Face Dia. | X Dia. | B Bore | STUDS | | | Weight Approx. | |
|-----------|---------------|--------------------|-------------|----------|-----------|---------|--------|-----------|-------|---------------|----------------|------|
| | | | | | | | | No. Holes | Dia. | Circle Length | | |
| 1/2" | 3-3/4 | 1-1/2 | 1/16 | 1-13/16 | 1-3/8 | 1-1/2 | .88 | 4 | 1/2 | 2-5/8 | 5 | 8 |
| 1" | 4-7/8 | 1-1/2 | 1/16 | 1-7/8 | 2-13/16 | 2-1/8 | 1.36 | 4 | 5/8 | 3-1/2 | 5 | 11 |
| 1-1/4" | 5-1/4 | 1-1/2 | 1/16 | 1-13/16 | 3-3/16 | 2-1/2 | 1.70 | 4 | 5/8 | 3-7/8 | 5 | 14 |
| 1-1/2" | 6-1/8 | 1-1/2 | 1/16 | 1-7/8 | 3-11/16 | 2-3/4 | 1.95 | 4 | 3/4 | 4-1/2 | 5-1/4 | 18 |
| 2" | 6-1/2 | 1-1/2 | 1/16 | 1-15/16 | 4-5/16 | 3-5/16 | 2.44 | 8 | 5/8 | 5 | 5 | 19 |
| 2-1/2" | 7-1/2 | 1-1/2 | 1/16 | 2 | 5-1/16 | 3-15/16 | 2.94 | 8 | 3/4 | 5-7/8 | 5-1/4 | 28 |
| 3" | 8-1/4 | 1-1/2 | 1/16 | 2-1/16 | 5-13/16 | 4-5/8 | 3.57 | 8 | 3/4 | 6-5/8 | 5-1/4 | 34 |
| 4" | 10 | 1-1/2 | 1/16 | 2-1/8 | 7-1/16 | 5-3/4 | 4.57 | 8 | 3/4 | 7-7/8 | 5-1/4 | 59 |
| 5" | 11 | 1-1/2 | 1/16 | 2-1/8 | 8-3/8 | 7 | 5.66 | 8 | 3/4 | 9-1/4 | 5-1/4 | 88 |
| 6" | 12-1/2 | 1-1/2 | 1/16 | 2-1/8 | 9-3/4 | 8-1/8 | 6.72 | 12 | 3/4 | 10-5/8 | 5-1/4 | 102 |
| 8" | 15 | 1-5/8 | 1/16 | 2-7/16 | 12 | 10-1/4 | 8.72 | 12 | 7/8 | 13 | 5-3/4 | 152 |
| 10" | 17-1/2 | 1-7/8 | 1/16 | 2-5/8 | 14-1/8 | 12-5/8 | 10.88 | 16 | 1 | 15-1/4 | 6-1/2 | 224 |
| 12" | 20-1/2 | 2 | 1/16 | 2-7/8 | 16-1/2 | 14-3/4 | 12.88 | 16 | 1-1/8 | 17-3/4 | 7 | 315 |
| 14" | 23 | 2-1/8 | 1/16 | 3 | 19 | 16-3/4 | 14.14 | 20 | 1-1/8 | 20-1/4 | 7-1/2 | 434 |
| 16" | 25-1/2 | 2-1/4 | 1/16 | 3-1/4 | 21-1/8 | 19 | 16.16 | 20 | 1-1/4 | 22-1/2 | 7-3/4 | 570 |
| 18" | 28 | 2-3/8 | 1/16 | 3-1/2 | 23-3/8 | 21 | 18.18 | 24 | 1-1/4 | 24-3/4 | 8-1/4 | 697 |
| 20" | 30-1/2 | 2-1/2 | 1/16 | 3-3/4 | 25-5/8 | 23-1/8 | 20.20 | 24 | 1-1/4 | 27 | 8-1/2 | 853 |
| 24" | 36 | 2-3/4 | 1/16 | 4-3/16 | 30-3/8 | 27-5/8 | 24.25 | 24 | 1-1/2 | 32 | 9-1/2 | 1335 |
| | | | | | | | | | | | | |
| | | | | | | | | | | | | |
| | | | | | | | | | | | | |

CUSTOM CRAFTED
FLOW ELEMENTS



RING-TYPE JOINT WELD NECK ORIFICE FLANGES



1. ORIFICE FLANGES — A.S.T.M. A105, FORGED STEEL.
2. STUD BOLTS — A.S.T.M. A193, Gr. B7 Alloy Steel.
3. HEXAGONAL NUTS — A.S.T.M. A194, Gr. 2 Carbon Steel.
4. JACKSCREWS — (2) per Union.
5. PIPE PLUGS — Steel, Hex. Head Forged.
6. GASKETS — (2) per Union, Non-asbestos.

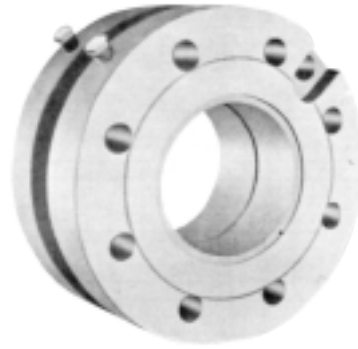
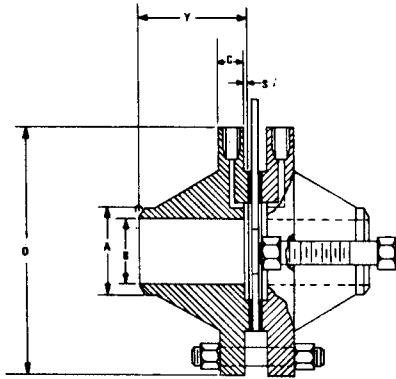
300 # ASA

| Line Size | O.O.D. Flange | C Flange Thickness | B Bore | Y Length | L2 Dia. | A Dia. | STUDS | | | | Weight Approx. | |
|-----------|---------------|--------------------|-----------------------------|----------|---------|--------|-----------|-------|--------|--------|----------------|--|
| | | | | | | | No. Holes | Dia. | Circle | Length | | |
| 1/2" | 3-3/4 | 1-1/4 | | 3 | 1-11/32 | .84 | 4 | 1/2 | 2-5/8 | 5 | 14 | |
| 1" | 4-7/8 | 1-1/4 | | 3 | 2 | 1.32 | 4 | 5/8 | 3-1/2 | 5 | 18 | |
| 1-1/4" | 5-1/4 | 1-1/4 | | 3-1/16 | 2-3/8 | 1.66 | 4 | 5/8 | 3-7/8 | 5 | 20 | |
| 1-1/2" | 6-1/8 | 1-1/4 | | 3-1/8 | 2-11/16 | 1.90 | 4 | 3/4 | 4-1/2 | 5-1/4 | 25 | |
| 2" | 6-1/2 | 1-1/4 | Per Customer Specifications | 3-1/8 | 3-1/4 | 2.38 | 8 | 5/8 | 5 | 5 | 27 | |
| 2-1/2" | 7-1/2 | 1-1/4 | | 3-1/4 | 4 | 2.88 | 8 | 3/4 | 5-7/8 | 5-1/4 | 35 | |
| 3" | 8-1/4 | 1-1/4 | | 3-1/4 | 4-7/8 | 3.50 | 8 | 3/4 | 6-5/8 | 5-1/4 | 43 | |
| 4" | 10 | 1-1/4 | | 3-3/8 | 5-7/8 | 4.50 | 8 | 3/4 | 7-7/8 | 5-1/4 | 66 | |
| 5" | 11 | 1-3/8 | | 3-7/8 | 7-1/8 | 5.56 | 8 | 3/4 | 9-1/4 | 5-1/4 | 78 | |
| 6" | 12-1/2 | 1-7/16 | | 3-7/8 | 8-5/16 | 6.63 | 12 | 3/4 | 10-5/8 | 5-1/4 | 106 | |
| 8" | 15 | 1-5/8 | | 4-3/8 | 10-5/8 | 8.63 | 12 | 7/8 | 13 | 5-3/4 | 152 | |
| 10" | 17-1/2 | 1-7/8 | | 4-5/8 | 12-3/4 | 10.75 | 16 | 1 | 15-1/4 | 6-1/2 | 216 | |
| 12" | 20-1/2 | 2 | | 5-1/8 | 15 | 12.75 | 16 | 1-1/8 | 17-3/4 | 7 | 327 | |
| 14" | 23 | 2-1/8 | | 5-5/8 | 16-1/2 | 14.00 | 20 | 1-1/8 | 20-1/4 | 7-1/2 | 448 | |
| 16" | 25-1/2 | 2-1/4 | | 5-3/4 | 18-1/2 | 16.00 | 20 | 1-1/4 | 22-1/2 | 7-3/4 | 596 | |
| 18" | 28 | 2-3/8 | | 6-1/4 | 21 | 18.00 | 24 | 1-1/4 | 24-3/4 | 8-1/4 | 741 | |
| 20" | 30-1/2 | 2-1/2 | | 6-3/8 | 23 | 20.00 | 24 | 1-1/4 | 27 | 8-1/2 | 887 | |
| 24" | 36 | 2-3/4 | | 6-5/8 | 27-1/4 | 24.00 | 24 | 1-1/2 | 32 | 9-1/2 | 1311 | |
| | | | | | | | | | | | | |
| | | | | | | | | | | | | |

CUSTOM CRAFTED
FLOW ELEMENTS



CORNER TAP ORIFICE FLANGES



150 # ASA

| Line Size | O.O.D. Flange | R Raised Face | C Flange Thickness | Y Length | B Bore | A Dia. | STUDS | | | | Weight Approx. |
|-----------|---------------|---------------|--------------------|----------|--------|--------|-----------|-------|--------|--------|----------------|
| | | | | | | | No. Holes | Dia. | Circle | Length | |
| 1/2" | 3-1/2 | 1-3/8 | 1-1/2 | 2-15/16 | | .84 | 4 | 1/2 | 2-3/8 | 5 | 2 |
| 3/4" | 3-7/8 | 1-11/16 | 1-1/2 | 3-1/16 | | 1.05 | 4 | 1/2 | 2-3/4 | 5 | 2 |
| 1" | 4-1/4 | 2 | 1-1/2 | 3-1/11 | | 1.32 | 4 | 1/2 | 3-1/8 | 5 | 2-1/2 |
| 1-1/4" | 4-5/8 | 2-1/2 | 1-1/2 | 3-5/16 | | 1.66 | 4 | 1/2 | 3-1/2 | 5 | 2-1/2 |
| 1-1/2" | 5 | 2-7/8 | 1-1/2 | 3-3/8 | | 1.90 | 4 | 1/2 | 3-7/8 | 5 | 4 |
| 2" | 6 | 3-5/8 | 1-1/2 | 3-1/2 | | 2.38 | 4 | 5/8 | 4-3/4 | 5 | 6 |
| 2-1/2" | 7 | 4-1/8 | 1-1/2 | 2-3/4 | | 2.88 | 4 | 5/8 | 5-1/2 | 5 | 10 |
| 3" | 7-1/2 | 5 | 15/16 | 2-3/4 | | 3.50 | 4 | 5/8 | 6 | 3-3/4 | 11-1/2 |
| 3-1/2" | 8-1/2 | 5-1/2 | 15/16 | 2-13/16 | | 4.00 | 8 | 5/8 | 7 | 3-3/4 | 12 |
| 4" | 9 | 6-3/16 | 15/16 | 3 | | 4.50 | 8 | 5/8 | 7-1/2 | 3-3/4 | 16-1/2 |
| 5" | 10 | 7-5/16 | 15/16 | 3-1/2 | | 5.56 | 8 | 3/4 | 8-1/2 | 4 | 21 |
| 6" | 11 | 8-1/2 | 1 | 3-1/2 | | 6.63 | 8 | 3/4 | 9-1/2 | 4-1/4 | 26 |
| 8" | 13-1/2 | 10-5/8 | 1-1/8 | 4 | | 8.63 | 8 | 3/4 | 11-3/4 | 4-1/2 | 42 |
| 10" | 16 | 12-3/4 | 1-3/16 | 4 | | 10.75 | 12 | 7/8 | 14-1/4 | 5 | 54 |
| 12" | 19 | 15 | 1-1/4 | 4-1/2 | | 12.75 | 12 | 7/8 | 17 | 5 | 88 |
| 14" | 21 | 16-1/4 | 1-3/8 | 5 | | 14.00 | 12 | 1 | 18-3/4 | 5-1/2 | 114 |
| 16" | 23-1/2 | 18-1/2 | 1-7/16 | 5 | | 16.00 | 16 | 1 | 21-1/4 | 5-3/4 | 142 |
| 18" | 25 | 21 | 1-9/16 | 5-1/2 | | 18.00 | 16 | 1-1/8 | 22-3/4 | 6-1/4 | 165 |
| 20" | 27-1/2 | 23 | 1-11/16 | 5-11/16 | | 20.00 | 20 | 1-1/8 | 25 | 6-1/2 | 197 |
| 24" | 32 | 27-1/4 | -1-7/8 | 6 | | 24.00 | 20 | 1-1/4 | 29-1/2 | 7-1/4 | 268 |

Per Customer Specifications

300 # ASA

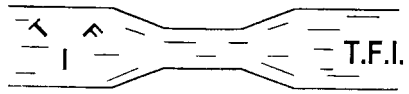
| Line Size | O.O.D. Flange | R Raised Face | C Flange Thickness | Y Length | B Bore | A Dia. | STUDS | | | | Weight Approx. |
|-----------|---------------|---------------|--------------------|----------|--------|--------|-----------|-------|--------|--------|----------------|
| | | | | | | | No. Holes | Dia. | Circle | Length | |
| 1/2" | 3-3/4 | 1-3/8 | 1-1/2 | 2-15/16 | | .84 | 4 | 1/2 | 2-5/8 | 5 | 2 |
| 3/4" | 4-5/8 | 1-11/16 | 1-1/2 | 3-1/16 | | 1.05 | 4 | 5/8 | 3-1/4 | 5 | 3 |
| 1" | 4-7/8 | 2 | 1-1/2 | 3-1/4 | | 1.32 | 4 | 5/8 | 3-1/2 | 5 | 4 |
| 1-1/4" | 5-1/4 | 2-1/2 | 1-1/2 | 3-5/16 | | 1.66 | 4 | 5/8 | 3-7/8 | 5 | 5 |
| 1-1/2" | 6-1/8 | 2-7/8 | 13/16 | 2-11/16 | | 1.90 | 4 | 3/4 | 4-1/2 | 3-3/4 | 7 |
| 2" | 6-1/2 | 3-5/8 | 7/8 | 2-3/4 | | 2.38 | 8 | 5/8 | 5 | 3-3/4 | 8 |
| 2-1/2" | 7-1/2 | 4-1/8 | 1 | 3 | | 2.88 | 8 | 3/4 | 5-7/8 | 4-1/4 | 12 |
| 3" | 8-1/4 | 5 | 1-1/8 | 3-1/8 | | 3.50 | 8 | 3/4 | 6-5/8 | 4-1/2 | 18 |
| 3-1/2" | 9 | 5-1/2 | 1-3/16 | 3-3/16 | | 4.00 | 8 | 3/4 | 7-1/4 | 4-1/2 | 20 |
| 4" | 10 | 6-3/16 | 1-1/4 | 3-3/8 | | 4.50 | 8 | 3/4 | 7-7/8 | 4-3/4 | 26-1/2 |
| 5" | 11 | 7-5/16 | 1-3/8 | 3-7/8 | | 5.56 | 8 | 3/4 | 9-1/4 | 5 | 36 |
| 6" | 12-1/2 | 8-1/2 | 1-7/16 | 3-7/8 | | 6.63 | 12 | 3/4 | 10-5/8 | 5 | 45 |
| 8" | 15 | 10-5/8 | 1-5/8 | 4-3/8 | | 8.63 | 12 | 7/8 | 13 | 5-3/4 | 69 |
| 10" | 17-1/2 | 12-3/4 | 1-7/8 | 4-5/8 | | 10.75 | 16 | 1 | 15-1/4 | 6-1/2 | 100 |
| 12" | 20-1/2 | 15 | 2 | 5-1/8 | | 12.75 | 16 | 1-1/8 | 17-3/4 | 7 | 142 |
| 14" | 23 | 16-1/4 | 2-1/8 | 5-5/8 | | 14.00 | 20 | 1-1/8 | 20-1/4 | 7-1/2 | 206 |
| 16" | 25-1/2 | 18-1/2 | 2-1/4 | 5-3/4 | | 16.00 | 20 | 1-1/4 | 22-1/2 | 7-3/4 | 249 |
| 18" | 28 | 21 | 2-3/8 | 6-1/4 | | 18.00 | 24 | 1-1/4 | 24-3/4 | 8-1/4 | 306 |
| 20" | 30-1/2 | 23 | 2-1/2 | 6-3/8 | | 20.00 | 24 | 1-1/4 | 27 | 8-1/2 | 369 |
| 24" | 36 | 27-1/4 | 2-3/4 | 6-5/8 | | 24.00 | 24 | 1-1/2 | 32 | 9-1/2 | 519 |

Per Customer Specifications

CUSTOM CRAFTED
FLOW ELEMENTS



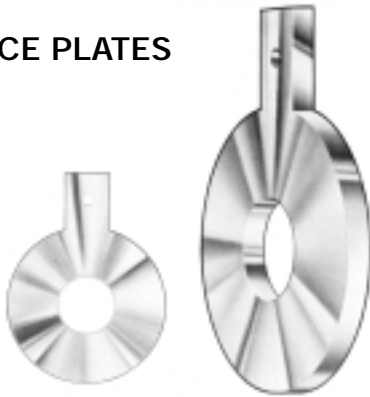
TRI-FLO INC.



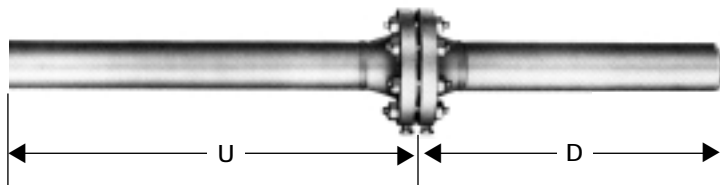
P.O. BOX 121254
ARLINGTON, TX 76012 U.S.A.
WEBSITE: www.quikpage.com/T/triflo

TEL: (817) 483-0001
FAX: (817) 483-1959
E. MAIL: triflo@flash.net

ORIFICE PLATES



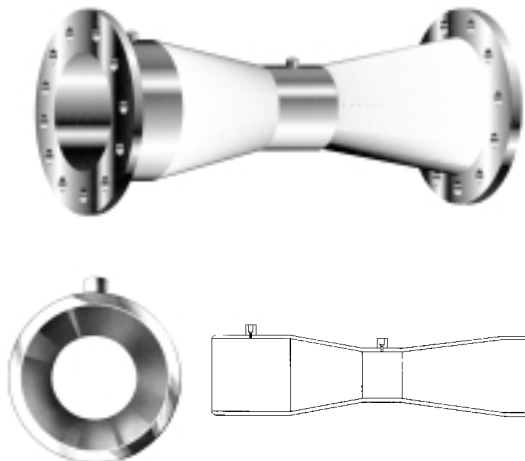
METER RUNS & FITTING FABRICATION AND SMALL HONED METER RUNS



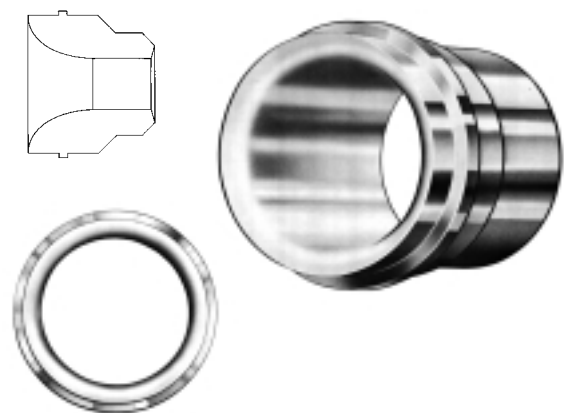
ORIFICE FLANGE UNIONS

DESIGNED AND MANUFACTURED
TO AGA AND ASME AND ISA RECOMMENDATIONS

VENTURI TUBES



FLOW NOZZLES



CUSTOM CRAFTED
FLOW ELEMENTS

