

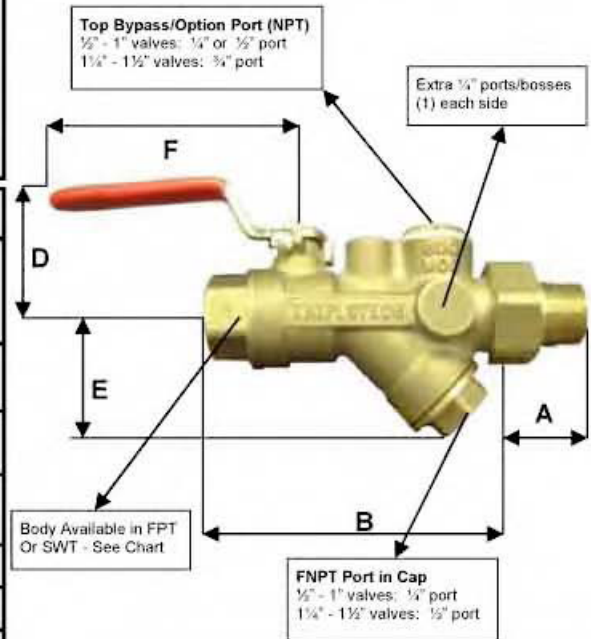


Materials Data

Y Series Materials: Please refer to our website for assembly instructions:
http://www.triflo.tech.com/services_docs/valvetesting.pdf
 Brass Body, End Piece, and Strainer Cap, Chrome Plated Brass Ball with Teflon Seals, Dual Viton O-Ring Seals on Ball Stem, Union, and End Cap, Zinc Plated Handle with Vinyl Cover, 20 Mesh 304 S.S. Filter Screen complete with Teflon packing in the stem and the fixed end joint.

DIMENSIONS (Inches)

Nominal Line Size	Tail Piece Sizing Info	B		D	E	F	Ball I.D.	Filter Area (sq. inch)	Cv	WT (lbs)
		S SWT	F FPT							
1/2"	↓	4.3	3.8	1.7	1.6	3.4	0.6	2.7	5.5	1.1
3/4"		5.4	5.2	1.8	2.4	3.4	0.8	7.4	9.0	2.1
1"		5.6	5.3	1.8	2.4	3.4	0.8	7.4	9.0	2.1
1 1/4"		7.1	6.6	2.5	3.5	4.4	1.3	16.7	28.0	4.1
1 1/2"		7.2	6.6	2.5	3.5	4.4	1.3	16.7	28.0	4.2
2"		8.4	8.26	3.5	4.5	5.5	1.8	20.6	36	8.9



TRI FLO Accessories

PT - Pressure/Temp Plug
 350°F, 1000PSIG, w/ Nordel Core, 1/4" MPT



SH - Pressure Only Tap
 220°F, 250 PSIG, positive shut off, 1/4" MPT



MV - Manual Air Vent
 325°F, 400 PSIG, 1/4" MPT, Side Discharge


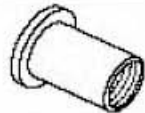
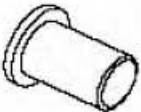


BD - Blow Down/Vent/Drain
 325°F, 600 PSIG, 3/4" hose bib & cap
 1/4" MPT



Design Data

Design Information:
 Hot Forged Brass Body
 Blowout-Proof Ball Stems
 Double Viton O-Ring Stem Seals
 Removable Strainer Screen
 Interchangeable Union Tail Pieces
 Viton O-Ring Seals rated at 600 WOG, 325°F

Tail Piece Options	Size	Length	Acceptable Valve Size
Male NPT 	1/2"	1.0	1/2", 3/4", 1"
	3/4": 1"	1.0 1.2	3/4", 1"
	1/2", 3/4" 1", 1 1/4", 1 1/2"	1.7 1.9	1 1/4", 1 1/2"
Female NPT 	1/2", 3/4" 1"	1.0 1.2	3/4", 1"
	1", 1 1/4" 1 1/2"	1.7 1.2	1 1/4", 1 1/2"
	Female Sweat 	3/8"	0.5
1/2"		0.6	1/2", 3/4", 1"
3/4" 1"		0.9 1.0	3/4", 1"
3/4" 1", 1 1/4", 1 1/2"		1.7 1.9	1 1/4", 1 1/2"

Ordering Instructions

TYF - 075 S - 050 M - XX - XX - XX

Model _____

Ball End _____
 1/2" = 050, 3/4" = 075, 1" = 100, 1 1/4" = 125, 1 1/2" = 125, 1 3/4" = 150
 F = Female & S for Sweat

Union End _____
 1/2" = 050, 3/4" = 075, 1" = 100, 1 1/4" = 125, 1 1/2" = 125, 1 3/4" = 150
 F = Female, M = Male & S = Sweat

Port Accessories _____
 PT, BD, SH, MV

Additional Option _____
 See Accessories

PROJECT INFORMATION

Representative _____

Contractor _____

Engineer _____

PO/Job # _____

Project _____

Date _____